

Earth Tags

North American-Standard
Grounding Tabs for use with Standard
NPT Sizes

American Connectors

PER FIT

For Use:

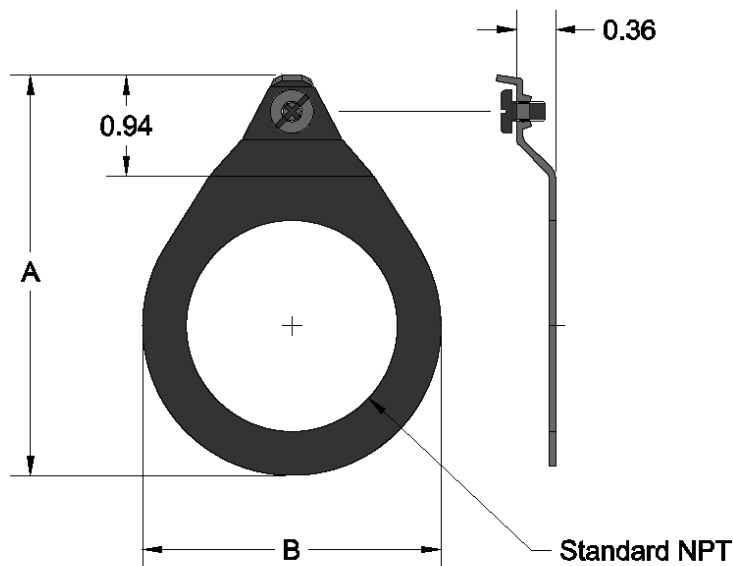
- WT-WSE Perfit Connectors
- Fire Rated installations
- Grounding systems using non-metallic enclosures

Listing & Compliances:

- UL and cUL listed E343634
- UL 467
- CSA C22.2 No. 41-07
- Meets all Buy American Requirements

Features:

- Fits standard NPT Sizes 1/2" to 4"
- Secured with Standard locknuts
- Standard Stock: 304 Stainless Steel



Part Number	NPT	A	B
ET 050	1/2	2.24	1.30
ET 075	3/4	2.44	1.50
ET 100	1	2.86	1.92
ET 125	1 1/4	3.34	2.40
ET 150	1 1/2	3.70	2.76
ET 200	2	4.19	3.25
ET 250	2 1/2	4.74	3.80
ET 300	3	5.54	4.60
ET 350	3 1/2	6.04	5.10
ET 400	4	6.69	5.75