

Hazardous Locations

Class I, Div. 1 & 2, Groups A,B,C,D
 Class II, Div. 1 & 2, Groups E,F,G
 Class III
 WTUPC

American Connectors

PER FIT

For Use:

- Metal Clad (MC/MC-HL) Cable, Teck, Interlocked, & CCW
- Threaded Entrances
- Outdoor & Indoor Locations

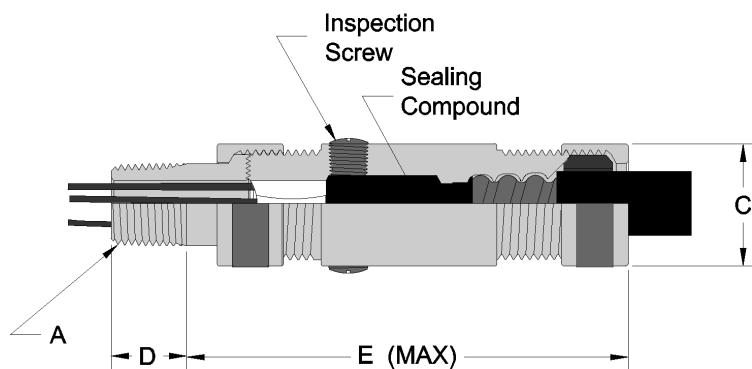
Features:

- 360° Hand-tight Grounding
- Tested to 3x UL required pull out
- EZ Sealant System (See EZ Sealant Sheet)
- Removable Hub
- Inspection Port with EZ screw
- Environmentally Friendly materials
- Standard Stock: 6061 Aluminum
- Special Materials: Brass, Stainless Steel

Listings & Compliances:

- E107930
- E150924
- Class I, Div 1 & 2, Groups ABC&D
- Class II, Div 1 & 2, Groups EF&G
- Class III
- UL 514B, 886, 2225
- Class 1 Zone 1 & 2
- NEMA 4 & IP56
- NEMA 7 & 9 (UL 2225 Sec. 30.1)

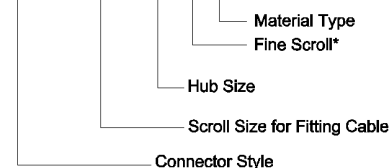
WTUPC



Part Number	Trade Size (NPT)	NPT Thread O.D.	Stock Dia.	NPT Thread Length	Outer Part Length	Overall Length
WTUPC	A	B	C	D	E	D+E
xxx-050	1/2"	0.84	1.25	0.78	4.67	5.5
xxx-075	3/4"	1.05	1.50	0.78	4.88	5.7
xxx-100	1"	1.32	2.00	0.99	5.55	6.5
xxx-125	1 1/4"	1.66	2.13	1.01	5.75	6.8
xxx-150	1 1/2"	1.90	2.50	1.03	6.47	7.5
xxx-200	2"	2.38	3.00	1.06	7.66	8.7
xxx-250	2 1/2"	2.88	3.75	1.57	8.56	10.1
xxx-300	3"	3.50	4.50	1.63	8.86	10.5
xxx-350	3 1/2"	4.00	5.00	1.68	9.40	11.1
xxx-400	4"	4.50	6.00	1.75	9.65	11.4

Part Numbering System

WTUPC XXX-YYY F xx =



*Fine Scroll Only applies to parts over 2 1/2"

Markings

Example of Marking:

UL US Class I Group ABC&D
 Class II Group EF&G
 Class III

Perfit WTUPC 111-100 S3